

ROHL

The Experience of Authentic Luxury™

www.rohlhome.com



PERRIN & ROWE® EDWARDIAN COLUMN SPOUT WIDESPREAD LAVATORY FAUCET

Perrin & Rowe® Bath Edwardian

U.3720L (Lever Handles)

FEATURES

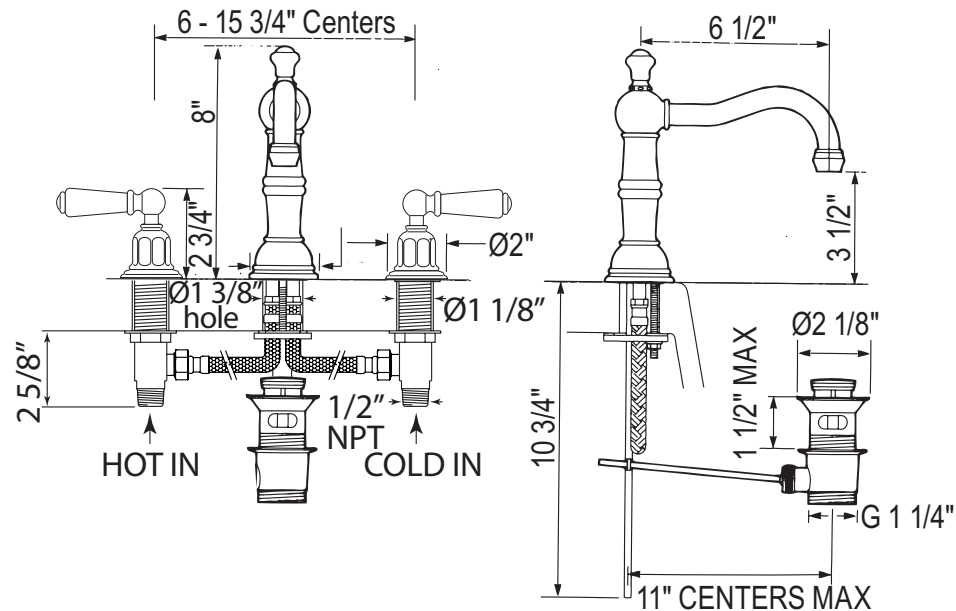
- Swivel spout
- Brass construction
- 3 x 1 3/8" hole cutouts
- Ceramic disc control cartridges
- 1/2" NPSM connections
- Includes both porcelain and metal lever inserts for U.3720L
- 1.2 GPM
- 1 3/4" max. deck depth

COLORS/FINISHES

- Polished Chrome
- Polished Nickel
- English Bronze
- Satin Nickel
- Inca Brass

WARRANTY

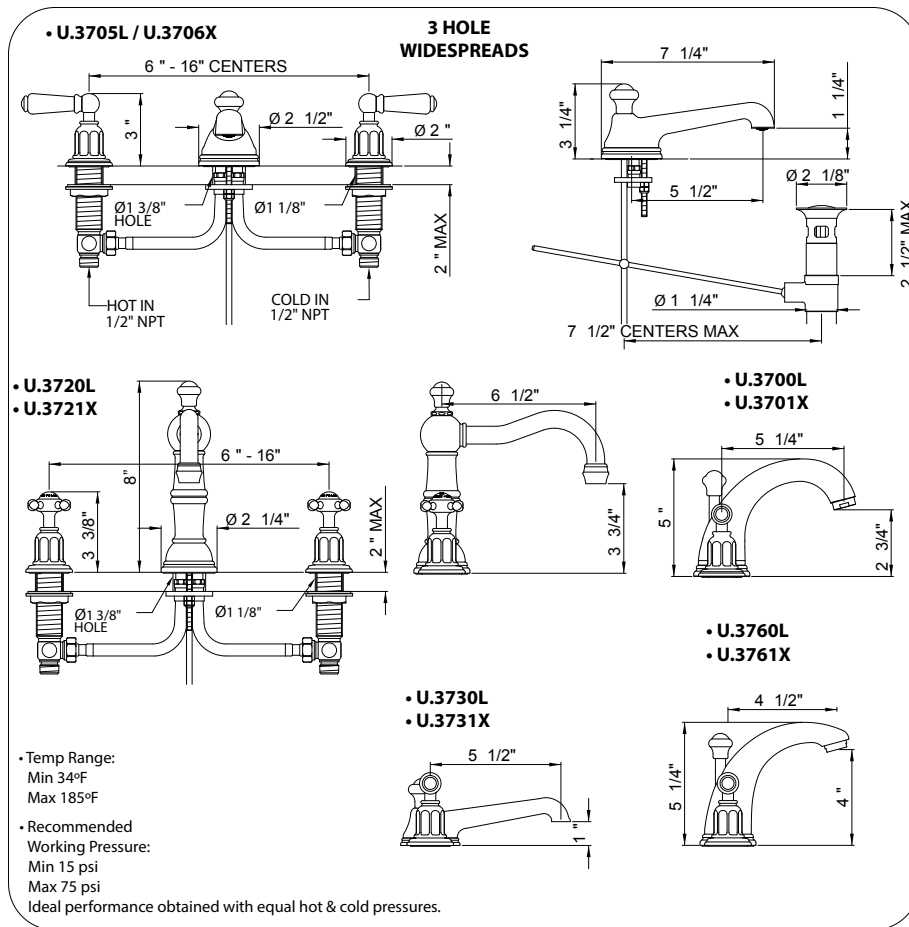
- Limited Lifetime



INSTALLATION INSTRUCTIONS



The Traditional Bathroom Collection
Installation & User Guide



INSTALLATION INSTRUCTIONS

The Traditional Kitchen Collection • Installation & User Guide

Congratulations on the purchase of your Perrin and Rowe Bathroom Product. Correctly installed and with sensible care, this product will give you many years of trouble free service.

• IMPORTANT INFORMATION •

Please read carefully to ensure correct installation. Before you proceed... We recommend you engage the services of a registered plumber to install this product. For ease of possible future servicing, we also recommend the fitting of conveniently placed isolating valves. In addition to the guide below it is essential that the written information overleaf is carefully read and understood.

• Preparation Check Box for Installer •

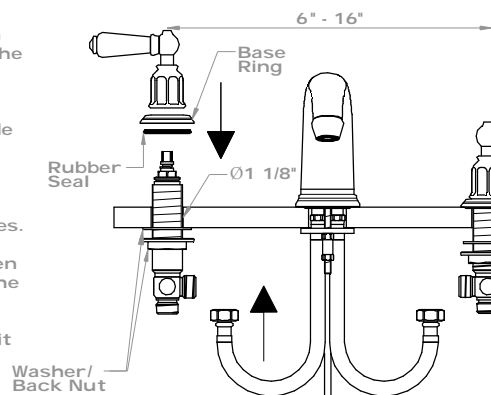
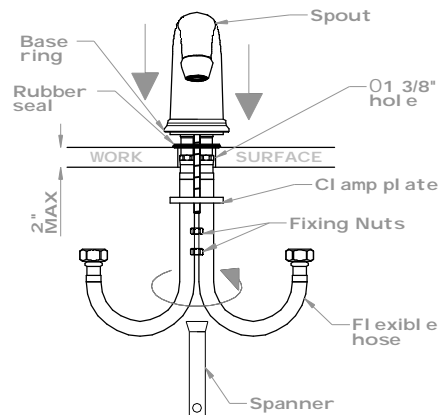
- Flush the plumbing system before installing the kitchen product.. Once unpacked, remove clamping plate and nut ready for installation.

SPOUT

- Assemble the spout by placing the hoses through the $\varnothing 1.3/8"$ hole in the work surface, ensuring the base ring & rubber seal are in place.
- Place clamp plate and securing nut onto the clamp bolt, tighten with spanner provided to underside of work surface.

HANDLE SET

- To assemble the side valve, ensure the brass backnut and washer are in place on the valve body, then from the underside of work surface, push the valve body through the hole. Assemble base ring as shown so the valve body threads show at the top.
- Ensure the connection for the flexible hose from the side valves is facing the spout.
- Assemble the hood & handle onto the valve body ensuring that it's aligned correctly. If not, remove and turn a few splines until correct alignment is achieved.
- Lever handles and the HOT & COLD wording on crossheads should sit in a line parallel with the rear wall.
- Screw the base ring up to the underside of cover, repeat this procedure for the other side valve.
- Tighten the brass backnut and washer to the underside of the work surface. Connect the valve body to the spout using the flexible hoses.
- Should the handles move out of alignment when the backnut is tightened to the underside of the bench, unscrew the hood and lift the handle from the valve body. Rotate the handle alignment vernier to another position and re-fit the handle. By trial & error.



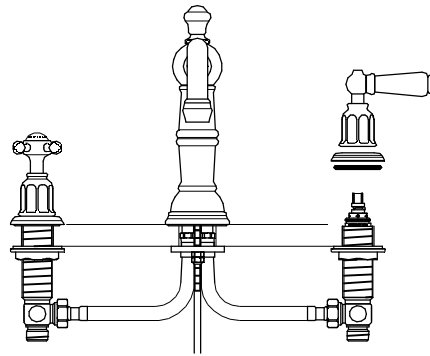
INSTALLATION INSTRUCTIONS

OPERATION

- This tap is fitted with quarter-turn ceramic disc valve units. Water flow from off to fully on is achieved by rotating the handles a quarter-turn. Ceramic disc valves are available opening in a clockwise or anti-clockwise direction. Should the handle of an installed faucet operate in the wrong direction, this can be remedied by changing the ceramic disc valve to the other version.

OPTIONAL LEVER INSERTS

- Perrin & Rowe lever handled faucets are supplied fitted with brass lever inserts. These can be replaced with lever inserts made from porcelain if required.
- To fit replacement lever inserts, rotate the metal rod running down the centre of the brass lever insert in an anti-clockwise direction to unscrew it from the faucet. Remove the metal spacer and the rubber o-ring from the rod and slide the brass insert off the rod.
- When fitting a porcelain lever insert, slide it onto the rod, re-fit the o-ring and spacer and screw it back onto the faucet. When fitting a brass lever insert, slip the thick o-ring supplied with the insert up the rod for it to sit under the thick end of the insert. Then fit the original o-ring and spacer and screw it back onto the faucet.



• BEFORE USE •

- Carefully check the installation for leaks.
- If further building work is to be carried out in the vicinity, cover the tap to avoid damaging the finish.
- Please ensure that the installation complies with local plumbing codes.

• CARE & MAINTENANCE •

Wipe down after use to avoid water spotting and mineral build up. Occasional cleaning with warm soapy water, followed by a polish with a soft cloth is all that is required to keep the plated finish in good condition.

Do not use proprietary abrasive liquids, powders, or pads to clean the tap. Do not use any products with ammonia bleach or limescale remover. You will damage the plated finish and void your guarantee.

INSTALLATION INSTRUCTIONS

ROHL WARRANTY POLICY

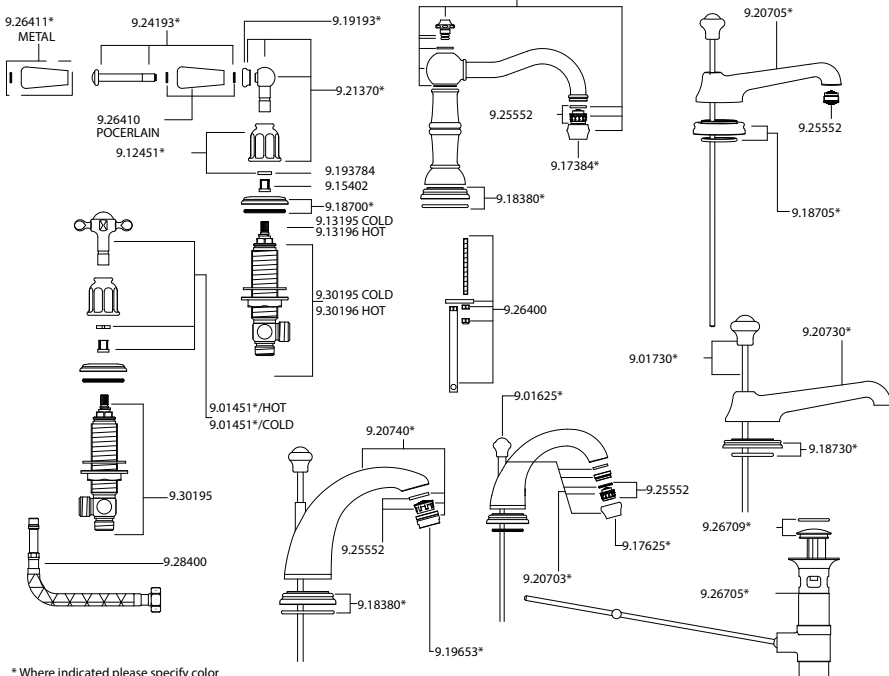
All products supplied by ROHL carry warranties against manufacturing defects.

Perrin & Rowe products carry a Limited Lifetime Warranty.

ROHL LLC will provide free of charge, as its options, replacement part(s) or product (or a comparable alternative product) to replace those which have proven defective in materials or workmanship.

For full ROHL LLC WARRANTY please contact ROHL or visit www.rohlhome.com

• SPARES •



* Where indicated please specify color

SPARE PARTS & SERVICE

3 Parker
Irvine
CA 92618
(714) 557-1933

www.rohlhome.com

Perrin & Rowe products are manufactured in England using quality materials, the latest technology and built to the highest standards.

We would like to thank you for purchasing this Perrin & Rowe product and invite you to view the comprehensive range of Perrin & Rowe tapware, shower fittings, bathroom accessories, soap dispensers and bathroomware.

Please contact us to receive our latest product catalogues or view them online at www.rohlhome.com