

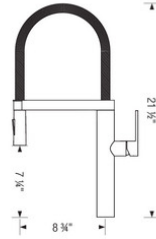
Product Specification Sheet





BLANCO CULINA



PRODUCT DIMENSIONS



BLANCO CULINA	Colour Finish	Model No.	FEATURES / SPECIFICATIONS
	Classic Steel	401222	Pull-down, dual spray 360° swivel provides extended range Magnetized hand spray holder for ease of use Insulated handspray with dual selectable spray patterns Flexible spring allows easy range of motion Flexible supply lines and 3/8" compression nut for easy installation Solid brass construction Ceramic disc cartridge 2.2 US GPM flow rate
	Chrome	401221	
			DESIGN AND PLANNING TIPS

WARRANTY

Limited Lifetime warranty

Code/Standards Compliance

BLANCO sinks and faucets are third-party tested and certified to CSA, cUPC, ANSI/ASME and NSF standards and listed by applicable certification bodies. For more information on individual product listings, contact our office or listing organization.

BLANCO CANADA
 100 Corporation Drive
 Brampton, ON L6S 6B5

Tel: 905 494 2400
 Fax: 905 494 2425
www.blancocanada.com

Toll Free: 1 877 425 2626
 Toll Free: 1 877 825 2626

© 2016 BLANCO CANADA