

# OPTIK 6032 F

**Model number:**

105571

**Dimensions:** 60" x 32" x 23"

**Installation:** Freestanding

**Material:** Acrylic



## Standard Features:

- Sleek 2-piece freestanding combines straight and curvaceous lines
- Inclined backrest, curvaceous inset armrests, deep bathing well
- Ample deck space for faucet installation
- End drain and 4 adjustable leveling legs
- Above-the-Floor Rough (AFR) and F<sup>2</sup> Drain compatible
- Apron available in standard colors and 5

## Product characteristics:

- Elegant design
- Integrated Armrest
- Deck Space for Faucet

## Systems:

 Aerofeel

## Warranty:

25 Years

## Standard colors:



White (001)



Bone (004)



Biscuit (007)

## Certifications

MAAX products adhere to one or more of the following certifications:



## Options (Visit our website for a complete list of our options)

No	Description
<input type="checkbox"/> OPT 10054	Two chromatherapy lights
<input type="checkbox"/> OPT 10117	Optional minimalist cushion (magnetic)
<input type="checkbox"/> OPT 10119	Metal trim kit for Aerofeel

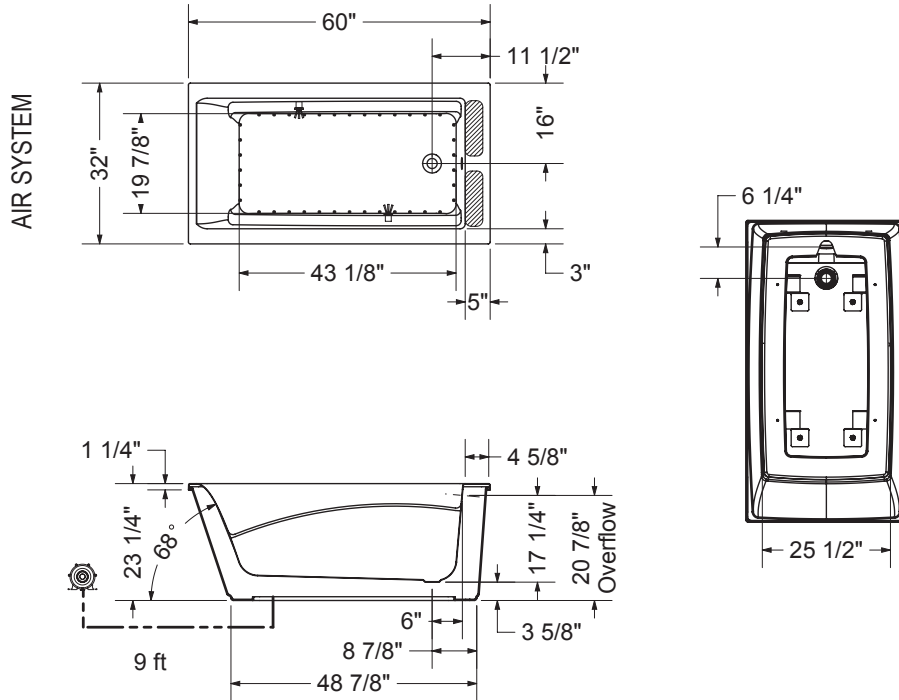
# OPTIK 6032 F

**Model number:** 105571

**Dimensions:** 60" x 32" x 23"

**Installation:** Freestanding

**Material:** Acrylic



- ( ● ) : Indicates airjets positioning
- ( ⊕ ) : Indicates chromatherapy light positioning
- ( ▭ ) : Recommended faucet area 2 sections of 12" (L) x 3 1/2" (W).

All dimensions are approximate. Structure measurements must be verified against the unit to ensure proper fit.

<b>Dimensions:</b>
60 x 32 x 23 in. (1524 x 812 x 584 mm)
<b>Water capacity:</b>
55 gallons - 209 liters
<b>Weight:</b>
135 lbs - 61 kg
<b>Bathing well:</b>
43 1/8 X 25 1/2 in. (1095 X 648 mm)
<b>Deep sump height:</b>
19 1/8 in. - 486 mm
<b>Deck width:</b>
2 3/4 in. - 70 mm
<b>Drain location:</b>
End

Project:

Contractor:

MAAX Representative:

Date:

Tel:

Notes: