

Living 6042

Model number:

102863

Dimensions: 60" x 42" x 23"

Installation: Drop in

Material: Acrylic





Standard Features:

- Spacious bathtub with ergonomic design
- Comfortable backrest and ample deck space for faucet installation
- Inclined armrests with 1 angled 12 in. grab bar included ¹⁴
- Drop-in installation with center drain
- Cut-out template included
- White cushion included with Hydromax and Combined systems

Product characteristics:

- Comfortable backrest
- Integrated Armrest
- Deck Space for Faucet

Systems:

-  Hydromax
-  Aerofeel
-  Combined Hydromax/Aerofeel

Warranty:

25 Years

Standard colors:



Certifications

MAAX products adhere to one or more of the following certifications:



Options (Visit our website for a complete list of our options)

No	Description
<input type="checkbox"/> OPT 10054	Two chromatherapy lights
<input type="checkbox"/> OPT 10095	Water heater assembly
<input type="checkbox"/> OPT 10096	Thermo-Acoustic system
<input type="checkbox"/> OPT 20139	Ozonator for whirlpool system
<input type="checkbox"/> OPT 20141	Rest System

Living 6042

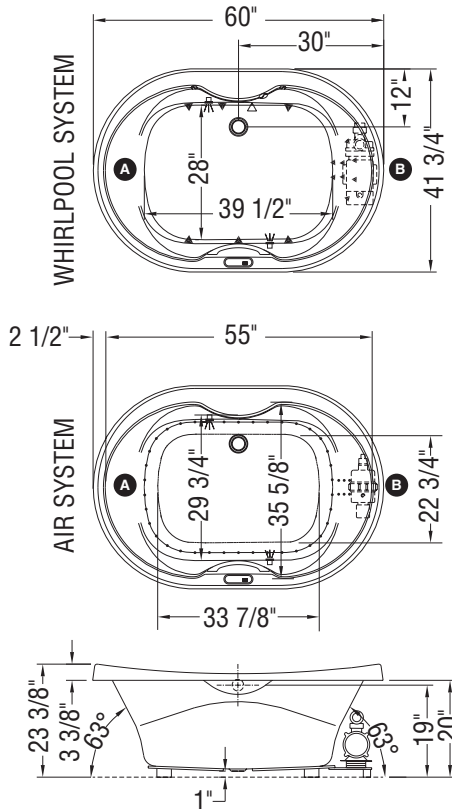
Model number:

102863

Dimensions: 60" x 42" x 23"

Installation: Drop in

Material: Acrylic



Note: Air / whirlpool backjets on same side as blower / pump

- (▲) : Indicates whirlpool jets positioning
- (△) : Indicates suction positioning
- (●) : Indicates airjets positioning
- (♪) : Indicates chromatherapy light positioning
- (A) : Specify blower and/or pump location when ordering
- (B) : Indicates standard grab bar positioning

Bathtub base includes anti-vibration Neutra-Phone leg supports (not shown).

All dimensions are approximate. Structure measurements must be verified against the unit to ensure proper fit.

Dimensions:

60 x 41 3/4 x 23 3/8 in.
(1524 x 1060 x 594 mm)

Water capacity:

71 gallons - 268 liters

Weight:

72 lbs - 33 kg

Bathing well:

39 1/2 X 29 3/4 in.
(1003 X 756 mm)

Deep sump height:

19 5/8 in. - 498 mm

Deck width:

5 in. - 127 mm

Drain location:

Center

Project: _____

Contractor: _____

MAAX Representative: _____

Date: _____

Tel: _____

Notes: _____