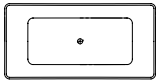
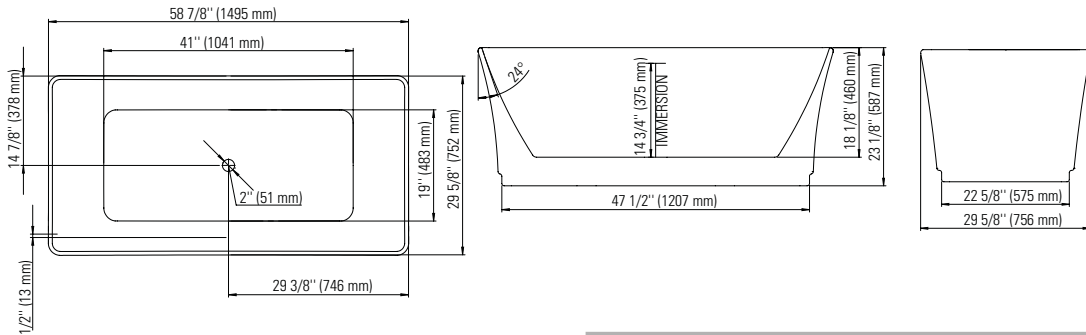


LONDON F1 3060

58 7/8" x 29 5/8" x 23 1/8"

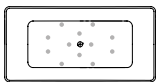


PRODUCT DESCRIPTION:	
Adjustable feet Transitional style Above-the-floor rough (AFR) Integrated linear overflow and drain kit included, chrome	
WATER CAPACITY:	IMMERSION:
55 gallons	14 3/4 po
BOX SIZE:	
61" x 31" x 24"	
NET WEIGHT:	GROSS WEIGHT:
91 lbs	113 lbs



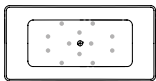
Bathtub only

LON3060F1



Mass-Air
Included: 12 injectors, 750W (1 1/2h.p.) Optima blower, with 300W heating element, 72" blower hose extension, and remote control.

LON3060F1M



Rouge-Air
Included: 12 micro-jets, 750W (1 1/2h.p.) Optima blower, with 300W heating element, 72" blower hose extension, and remote control.

LON3060F1A

GENERAL OPTIONS

Overflow and waste included: Chrome
Acrylic Colour: White
Bathtub drain adapter (picture below)

Standard

Gel black neck pillow
White or brushed nickel overflow and drain kit

MASS-AIR / ROUGE-AIR OPTIONS

Mass-Air Jet finish: White/Chrome
Others: Chrome/Chrome

Standard

96" blower hose extension

A blower hose extension is required when the blower is located more than 4' from the bathtub.

BATHTUB DRAIN ADAPTER

D-111 (123 Connect) is a floor drain adapter designed to facilitate the installation of freestanding bathtubs (must be installed before tiles are laid).

Designed to be installed in a 8" to 10" joist space.



White



Brushed nickel



Chrome

LINEAR OVERFLOW

CONFORMITY ATTESTATION
Bathtub Standards
CAN / CSA.B45.5
Hydromassage Standard
CAN / CSA.B45.10 / CSA.C22.2 / UL-1795



ECORESPONSIBLE Certification
First manufacturer of bathroom products in North America to be certified ecoresponsible




Produits Neptune
Rouge

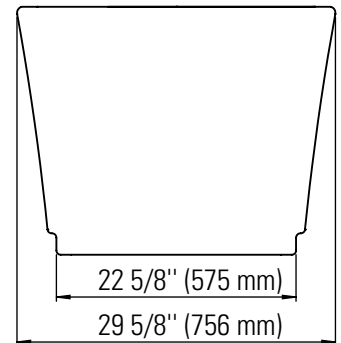
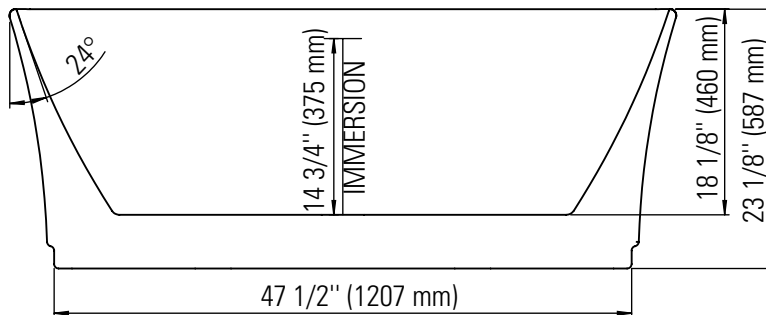
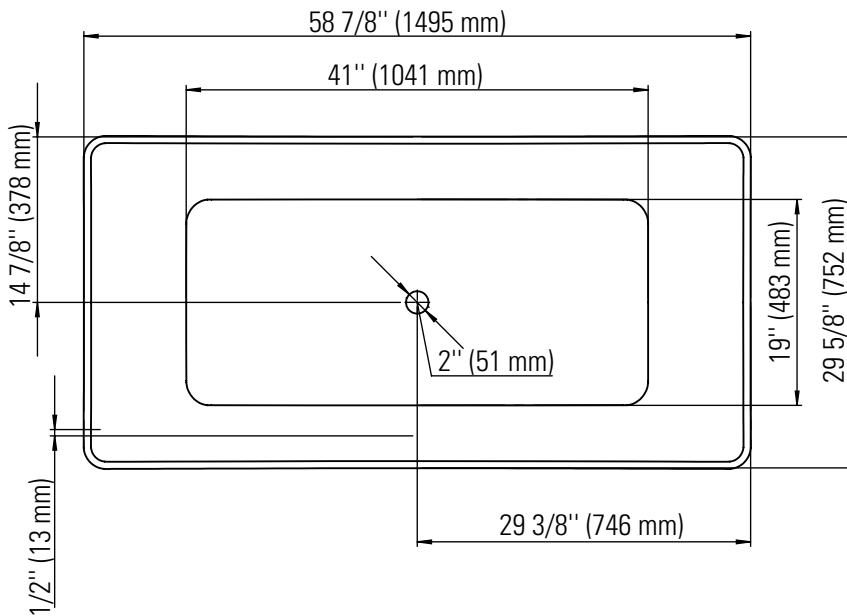
6635, Picard street, Saint-Hyacinthe (Québec) J2S 1H3
Phone: (450) 773-7058 - Fax: (450) 773-5063
produitsneptune.com



Produits Neptune
Rouge

LONDON 3060F1

Bathtub



Ajustable feet

Above-the-floor rough (AFR)

*All dimensions are approximate and subject to change without notice
Please refer to the installation guide before beginning the installation