

MAAX SUBMITTAL SPECIFICATIONS

Aiiki 6636

MODEL NUMBER 102787

DIMENSIONS: 66" x 36" x 24" Acrylic



Vivez l'expérience
MAAX[®]
Enjoy the experience

STANDARD FEATURES

- Cube inspired lines with an urban touch and comfortable design
- Comfortable inclined backrests and maximized bathing well
- Drop-in installation with end drain
- Magnetic cushion available in black or white (optional)
- Magnet backed headrest for cushion. Factory installed only if cushion ordered on initial order

OPTIONS


- Thermo-Acoustic system
- ABS trim kit for whirlpool and combined systems
- Two chromatherapy lights
- Flexible main hose for electronic control air massage - kit 15-ft. extension
- Lite deck
- Metal trim kit for Aerofeel

UNIQUE FEATURES

- None

SYSTEMS

 Aerofeel  Chromatherapy

 Combined
Aerofeel/Hydrofeel

 Hydrofeel  Ozonator

SELECTION

Combine with MAAX's complete shower door offering visit www.maax.com

CERTIFICATIONS

Maax products adhere to one or more of the following certifications:



Project :

Contractor :

MAAX Representative : Tel :

Date :

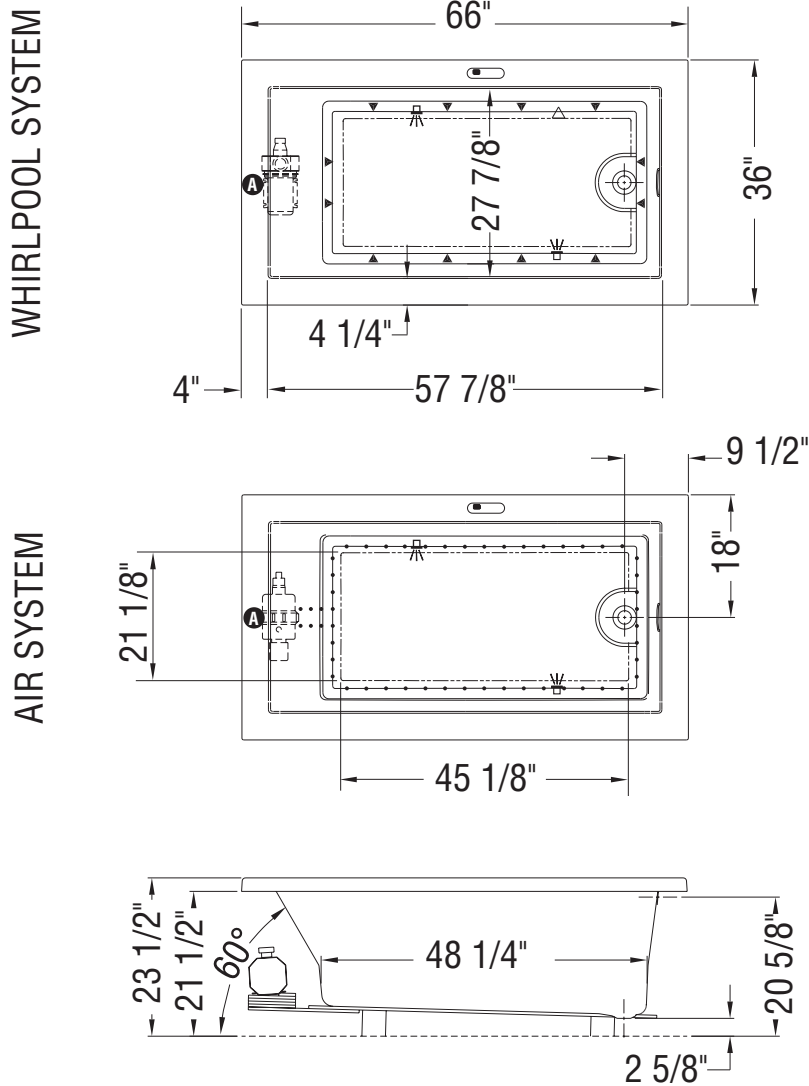
www.maax.com

MAAX SUBMITTAL SPECIFICATIONS

Aiiki 6636

MODEL NUMBER 102787

TECHNICAL DRAWINGS



Note: Air backjets on same side as blower

- (▲): Indicates whirlpool jets positioning
- (△): Indicates suction positioning
- (●): Indicates airjets positioning
- (Ψ): Indicates chromatherapy light positioning
- (A): Indicates pump or blower positioning

Bathtub base includes anti-vibration Neutra-Phone leg supports (not shown).

All dimensions are approximate. Structure measurements must be verified against the unit to ensure proper fit.